

IMPORTANT UPDATES: Monster Effects

Team Managers:

The following slides contain text that differs from that in the original Team Managers presentation. The revisions are intended to ensure consistency with the language in the Challenge. The new or revised text is highlighted in yellow and surrounded by a box/line.

Please review the revisions carefully and share them with your team as the revised text could have a significant impact on your team's solution, including revisiting ideas considered in the past.

Also included is a 3rd General Clarification that was published on January 11, 2019. Again, please review this with your team.



Special Effect

From the Challenge: Section I . H, pg. 8

- ✓ The *Special Effect* is to enhance the sudden appearance of the Monster and/or events surrounding the Monster
- ✓ The Special Effect must be triggered by “technical methods” (see pg. 8 of the challenge).
 - Technical methods refer to the use of principles from fields such as chemistry, computer science, electricity, hydraulics, mechanical or structural engineering, physics. Other technical fields are also acceptable.
- ✓ The *Special Effect* should be **clearly observable** from 25 ft. away.
- ✓ The *Special Effect* must be automatically triggered by a placed weight, a removed weight, or removal of the Pressure Board.
- ✓ If the *Special Effect* is not triggered automatically or the structure fails before the *Special Effect* is triggered, the team may choose to trigger the *Special Effect* in another way.



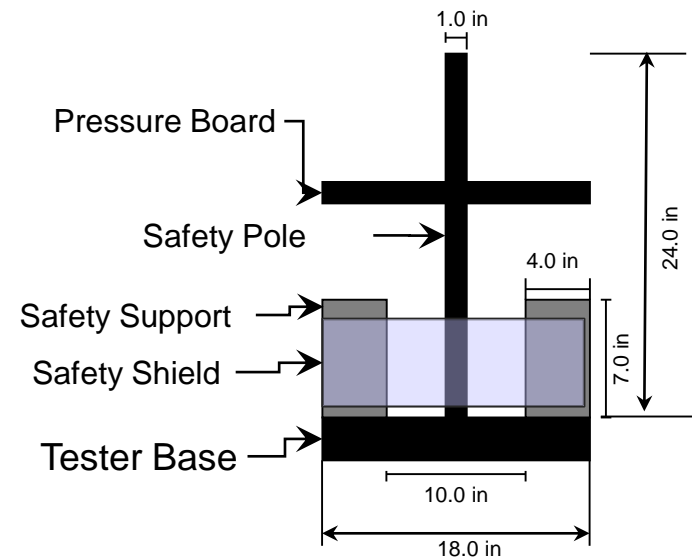
Structure

Testing Procedure – Initial Preparation

Found in the Challenge: Section I.C/D, pg. 14

- ✓ At any time after presentation time begins, the team may place the Structure on the Structure Tester.
- ✓ The Safety Shield(s) may be removed before placing the Structure on the Structure Tester.

✓ The only places the Structure may make contact with the Structure Tester are the top surface of the Tester Base, the bottom surface of the Pressure Board, and the Safety pole.



Previously read: When placed on the Structure Tester, the structure may make contact with only the top surface of the Tester Base, the bottom surface of the Pressure Board, and the safety pole.

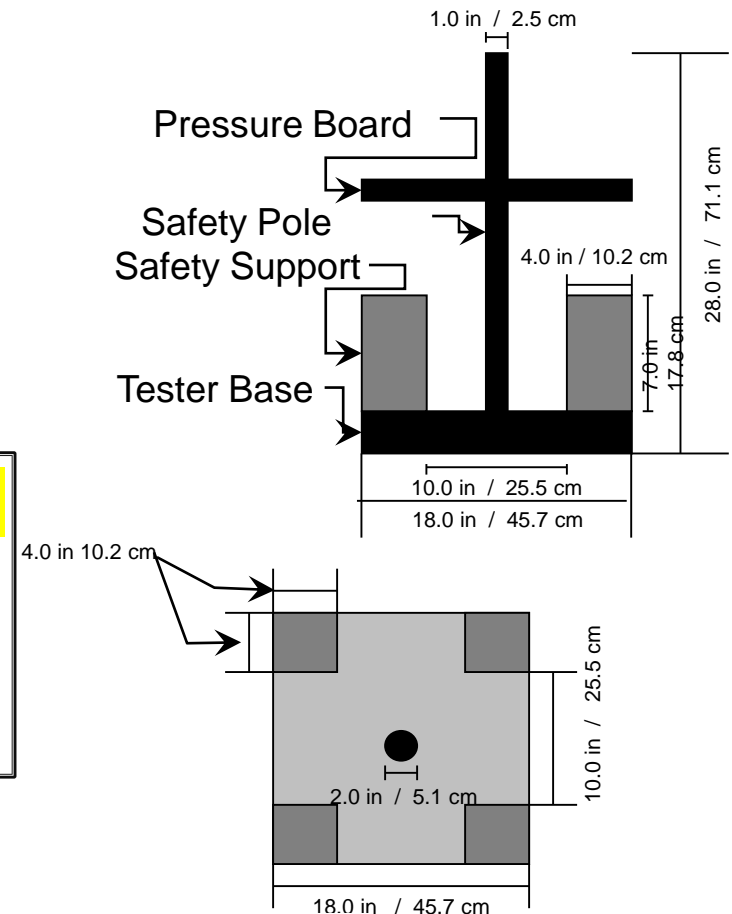


Structure Testing

Preparation of the Special Effect

- ✓ At any time before weight placement begins, the team may physically connect the Special Effect to the Structure
- ✓ All physical connections between the Structure and the Special Effect must be made through one team-selected side of the Structure Tester.

✓ After the Special Effect is connected, removed Safety Shields must be replaced and the Pressure Board placed before Weight Placement begins.



SPONSORED BY



Structure Testing

Weight Placement

Found in the Challenge: Section I . D – pg. 15

- ✓ If a Special Effect is triggered before weight placement begins, e.g., by the placement of the Pressure Board, the team may reset the Special Effect.
- ✓ Weight Placement can begin any time after the Special Effect is connected, should a team decide to do so, and the Pressure Board has been placed.

- ✓ Weight Placement begins when a team selects a desired weight from the Loading Zone and lowers the weight over the Safety Pole and onto the Pressure Board, or previously placed weights.



Structure Safety Procedures

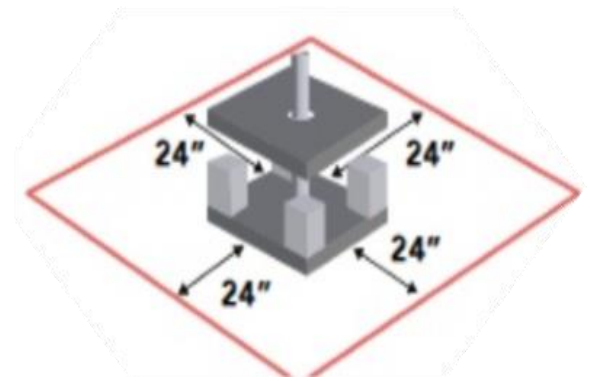
Found in the Challenge: Section V.F, Safety Notes, pg. 13

- ✓ When within a zone marked 2ft. from the Structure Tester on all 4 sides, all team members must wear protective eyewear.

✓ Adult Assistants must wear protective eyewear when within the safety zone.

✓ **REGULAR EYEGLASSES AND SUNGLASSES DO NOT QUALIFY AS PROTECTIVE EYEWEAR.**

- ✓ Teams must provide their own protective eyewear.



SPONSORED BY
3M



General Clarifications to the Challenge

- ▶ **#3 January 11, 2019**
- ▶ In the Challenge, Section V.E.1 should read: “Any time after the start of your Presentation, and before Weight Placement begins, your team may physically connect any Special Effect elements that are not a part of the Structure to the Structure. (See Section I.D.3.) After Weight Placement begins, your team may not make any additional physical connections to the Structure.”



For updates on general clarifications, visit:

<https://www.destinationimagination.org/challenge-program/clarifications/monster-effects/>

